

M & M CONSORCIO INDUSTRIAL. S.A. DE C.V.

Frasco: INVOLABLE 60 ml. CAP: 24 mm.

A 23.50 +/- 0.20 mm.
(0.917 +/- 0.008 in.)

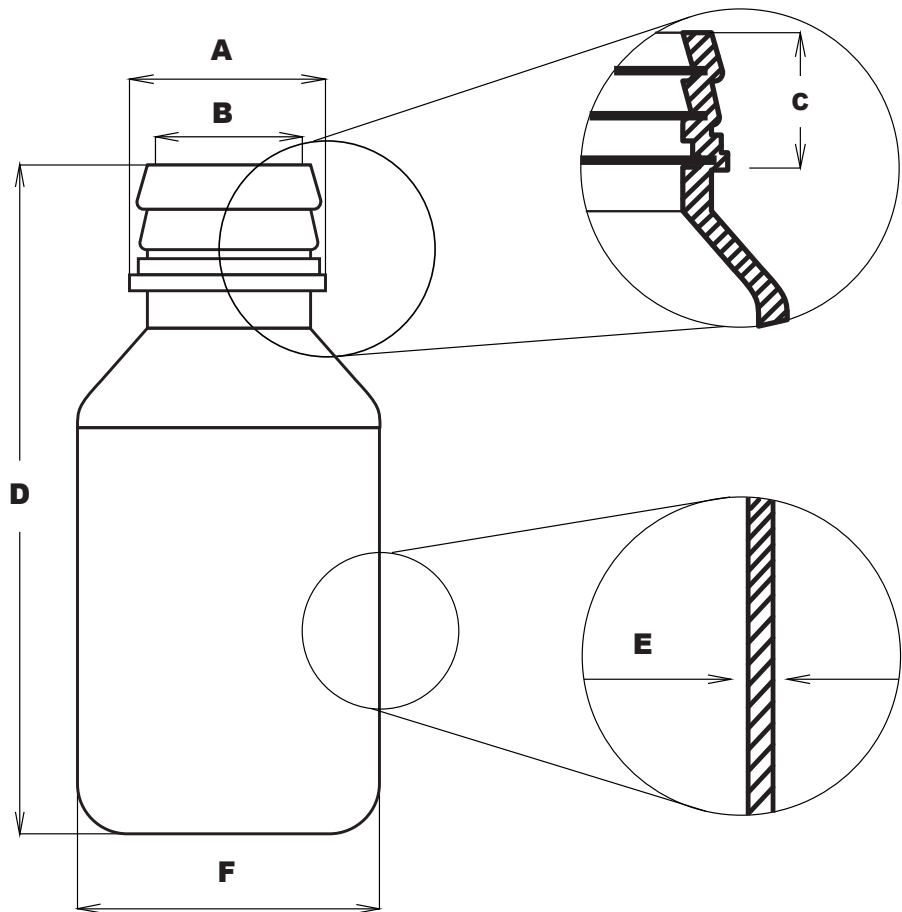
B 18.54 +/- 0.20 mm.
(0.730 +/- 0.008 in.)

C 10.90 +/- 0.20 mm.
(0.430 +/- 0.008 in.)

D 85.30 +/- 0.20 mm
(3.360 +/- 0.008 in.)

E 0.80 +/- 0.20 mm
(0.032 +/- 0.008 in.)

F 40.50 +/- 0.20 mm
(1.595 +/- 0.008 in.)



OBSERVACIONES: MATERIAL: POLIETILENO DE ALTA DENSIDAD.

COLOR: BLANCO.

TAPA: CAP TO CAP.

**NOTA: MINIMO DE FABRICACIÓN COLOR ESPECIAL 10,000 PZS.
TIEMPO DE ENTREGA SUJETA A PROGRAMACIÓN.**

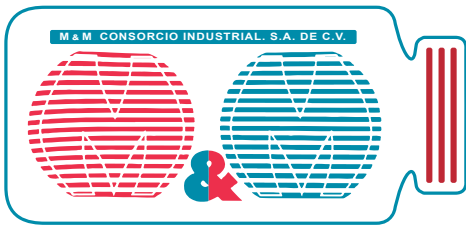


📍 Vidrio No. 1673, Col. Moderna, Guadalajara, Jal. C.P. 44140 ☎ 33 2538 5539 / 33 2153 6165

✉ contacto@mmconsorcioindustrial.com / ventasconsorcioindustrial@gmail.com

📘 M&M CONSORCIO INDUSTRIAL S.A. DE C.V. 📷 mmconsorcioindustrial

🌐 www.mmconsorcioindustrial.com



M & M CONSORCIO INDUSTRIAL. S.A. DE C.V.

Frasco: INVOLABLE 120 ml. CAP: 28 mm.

A 27.60 +/- 0.20 mm.
(1.080 +/- 0.008 in.)

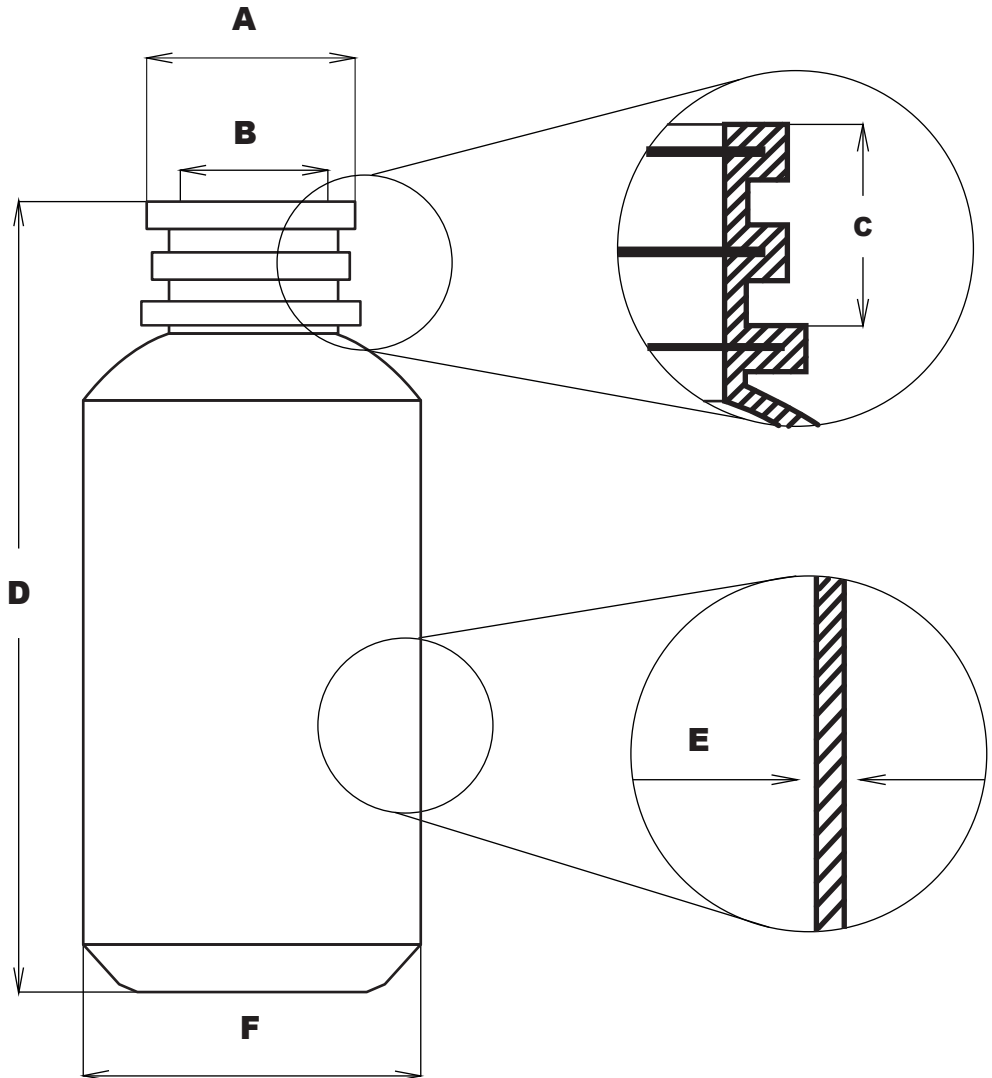
B 20.50 +/- 0.20 mm.
(0.800 +/- 0.008 in.)

C 13.50 +/- 0.20 mm.
(0.530 +/- 0.008 in.)

D 102.80 +/- 0.20 mm
(4.040 +/- 0.008 in.)

E 0.80 +/- 0.20 mm
(0.032 +/- 0.008 in.)

F 45.00 +/- 0.20 mm
(1.770 +/- 0.008 in.)



OBSERVACIONES: MATERIAL: POLIETILENO DE ALTA DENSIDAD.

COLOR: BLANCO.

TAPA: CAP TO CAP.

**NOTA: MINIMO DE FABRICACIÓN COLOR ESPECIAL 10,000 PZS.
TIEMPO DE ENTREGA SUJETA A PROGRAMACIÓN.**

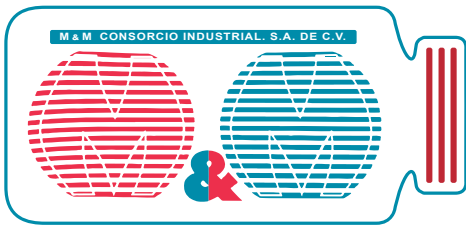


📍 Vidrio No. 1673, Col. Moderna, Guadalajara, Jal. C.P. 44140 📞 33 2538 5539 / 33 2153 6165

✉ contacto@mmconsorcioindustrial.com / ventasconsorcioindustrial@gmail.com

📘 M&M CONSORCIO INDUSTRIAL S.A. DE C.V. 📷 mmconsorcioindustrial

🌐 www.mmconsorcioindustrial.com



M & M CONSORCIO INDUSTRIAL. S.A. DE C.V.

Frasco: INVOLABLE 130 ml. CAP: 28 mm.

A 27.60 +/- 0.20 mm.
(1.080 +/- 0.008 in.)

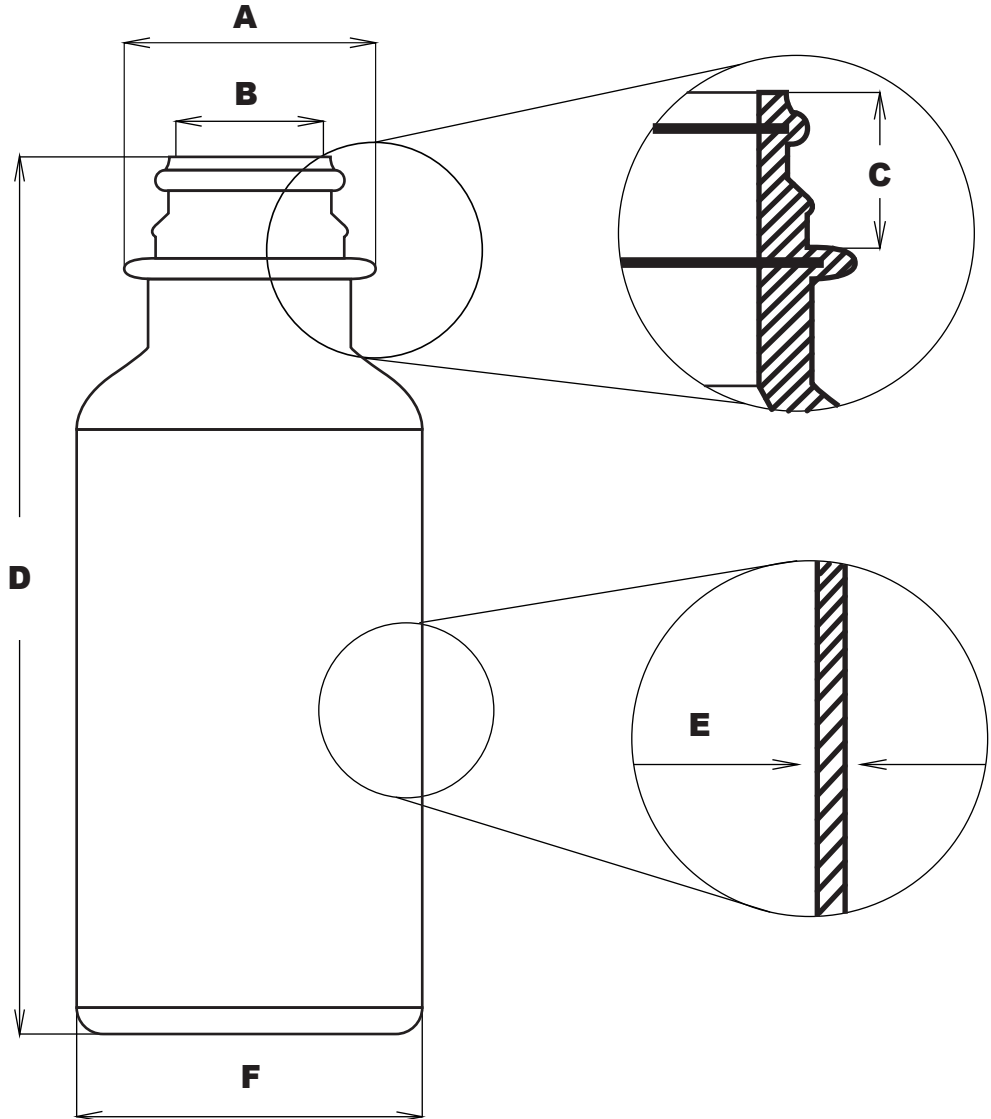
B 23.00 +/- 0.20 mm.
(0.906 +/- 0.008 in.)

C 12.70 +/- 0.20 mm.
(0.500 +/- 0.008 in.)

D 112.50 +/- 0.20 mm
(4.430 +/- 0.008 in.)

E 0.80 +/- 0.20 mm
(0.032 +/- 0.008 in.)

F 48.00 +/- 0.20 mm
(1.890 +/- 0.008 in.)



OBSERVACIONES: MATERIAL: POLIETILENO DE ALTA DENSIDAD.

COLOR: BLANCO.

TAPA: CAP TO CAP.

NOTA: MINIMO DE FABRICACIÓN COLOR ESPECIAL 10,000 PZS.
TIEMPO DE ENTREGA SUJETA A PROGRAMACIÓN.

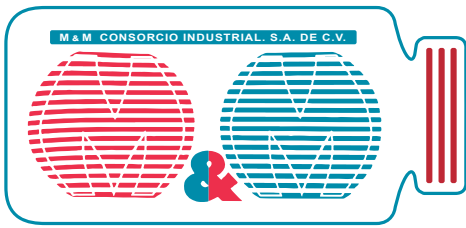


📍 Vidrio No. 1673, Col. Moderna, Guadalajara, Jal. C.P. 44140 📞 33 2538 5539 / 33 2153 6165

✉ contacto@mmconsorcioindustrial.com / ventasconsorcioindustrial@gmail.com

📘 M&M CONSORCIO INDUSTRIAL S.A. DE C.V. 📷 mmconsorcioindustrial

🌐 www.mmconsorcioindustrial.com



M & M CONSORCIO INDUSTRIAL. S.A. DE C.V.

Frasco: INVOLABLE 180 ml. CAP: 28 mm.

A 27.60 +/- 0.20 mm.
(1.080 +/- 0.008 in.)

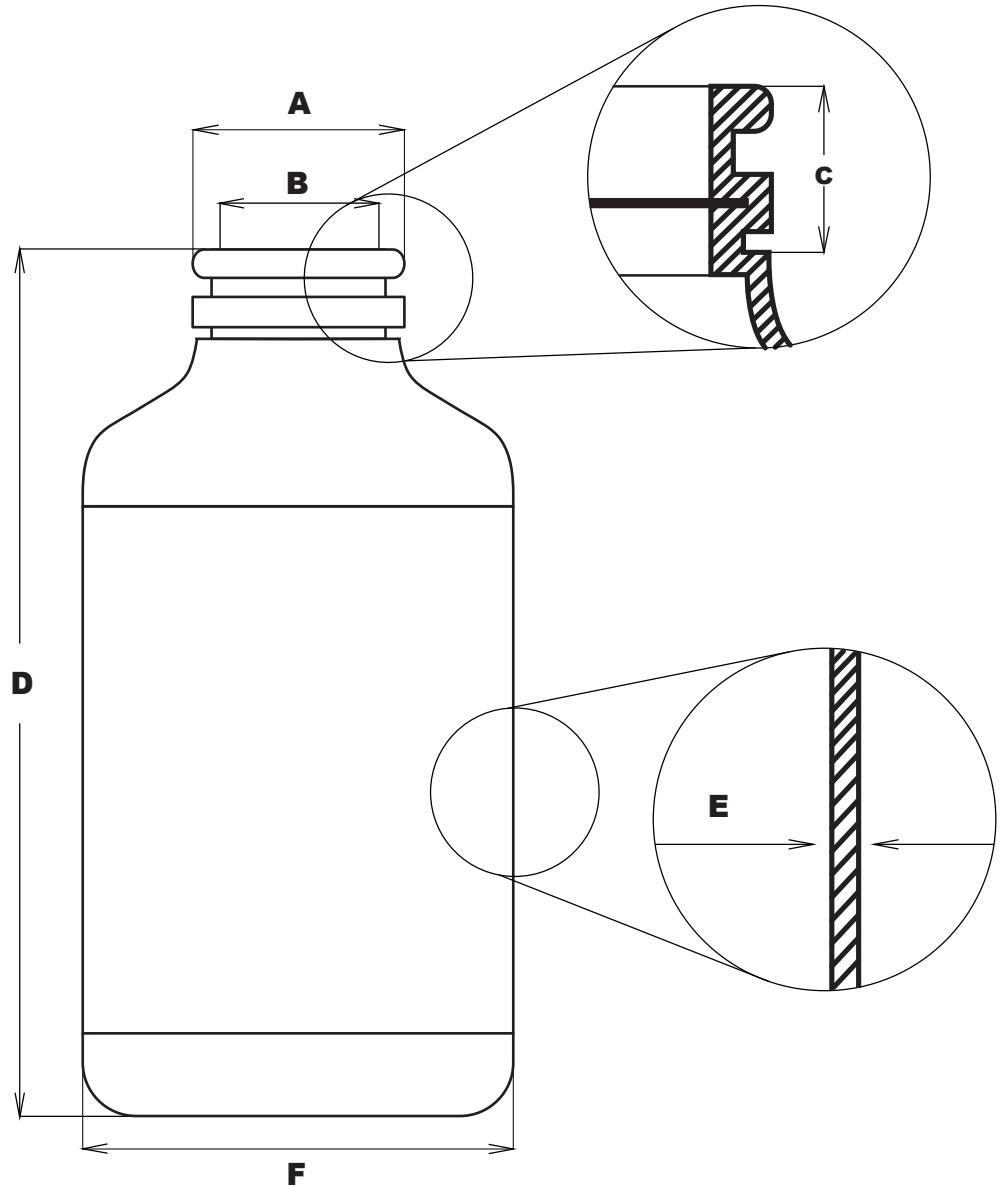
B 21.50 +/- 0.20 mm.
(0.848 +/- 0.008 in.)

C 11.50 +/- 0.20 mm.
(0.455 +/- 0.008 in.)

D 115.70 +/- 0.20 mm
(4.554 +/- 0.008 in.)

E 0.80 +/- 0.20 mm
(0.032 +/- 0.008 in.)

F 57.60 +/- 0.20 mm
(2.265 +/- 0.008 in.)



OBSERVACIONES: MATERIAL: POLIETILENO DE ALTA DENSIDAD.

COLOR: BLANCO.

TAPA: CAP TO CAP.

**NOTA: MINIMO DE FABRICACIÓN COLOR ESPECIAL 5,000 PZS.
TIEMPO DE ENTREGA SUJETA A PROGRAMACION.**

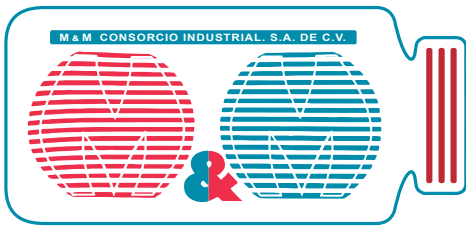


📍 Vidrio No. 1673, Col. Moderna, Guadalajara, Jal. C.P. 44140 📞 33 2538 5539 / 33 2153 6165

✉ contacto@mmconsorcioindustrial.com / ventasconsorcioindustrial@gmail.com

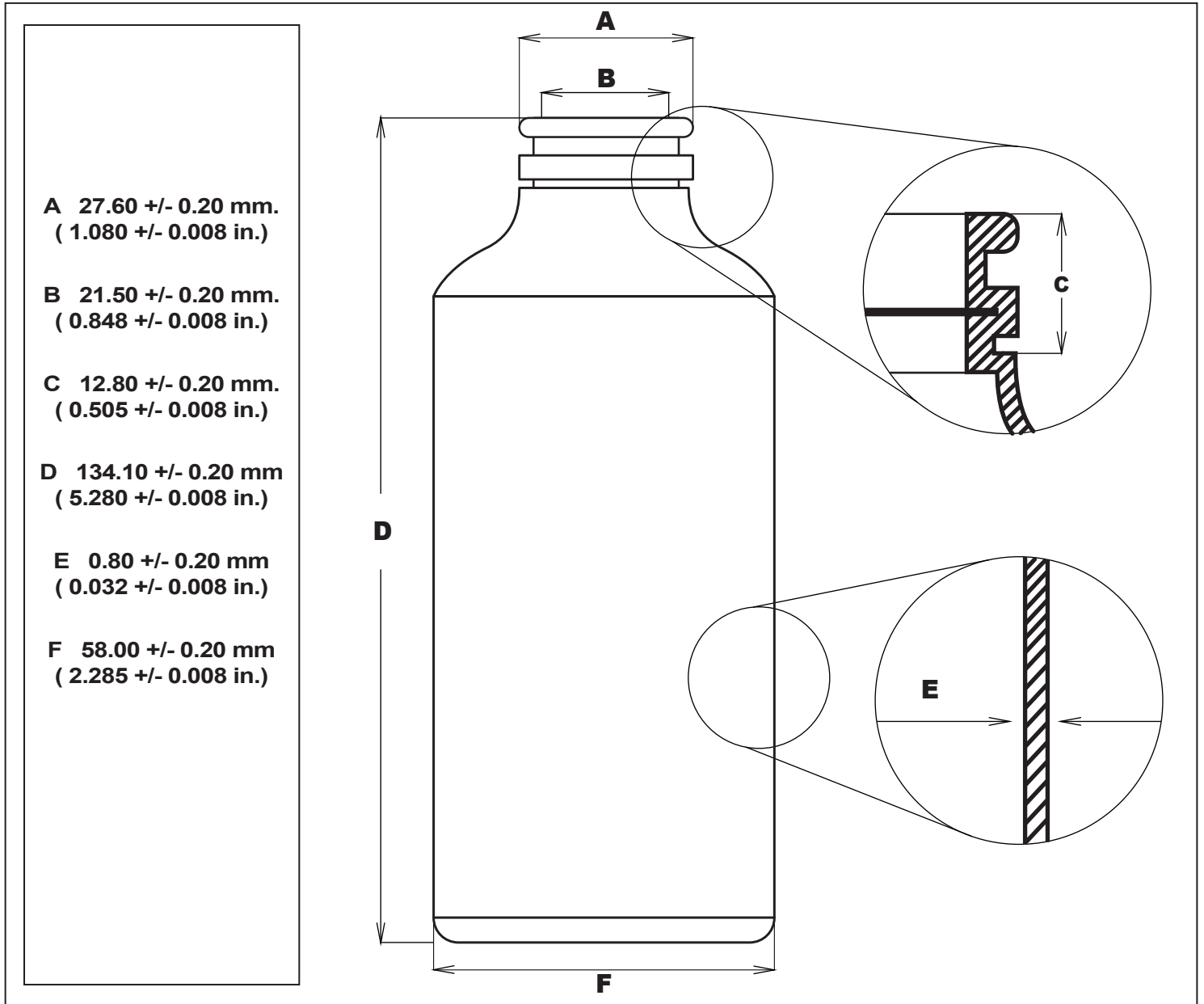
📘 M&M CONSORCIO INDUSTRIAL S.A. DE C.V. 📷 mmconsorcioindustrial

🌐 www.mmconsorcioindustrial.com



M & M CONSORCIO INDUSTRIAL. S.A. DE C.V.

Frasco: INVOLABLE 250 ml. CAP: 28 mm.



OBSERVACIONES: MATERIAL: POLIETILENO DE ALTA DENSIDAD.

COLOR: BLANCO.

TAPA: CAP TO CAP.

**NOTA: MINIMO DE FABRICACIÓN COLOR ESPECIAL 5,000 PZS.
TIEMPO DE ENTREGA SUJETA A PROGRAMACION.**

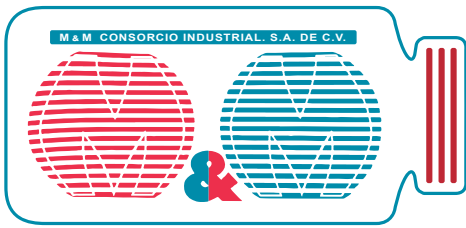


📍 Vidrio No. 1673, Col. Moderna, Guadalajara, Jal. C.P. 44140 📞 33 2538 5539 / 33 2153 6165

✉ contacto@mmconsorcioindustrial.com / ventasconsorcioindustrial@gmail.com

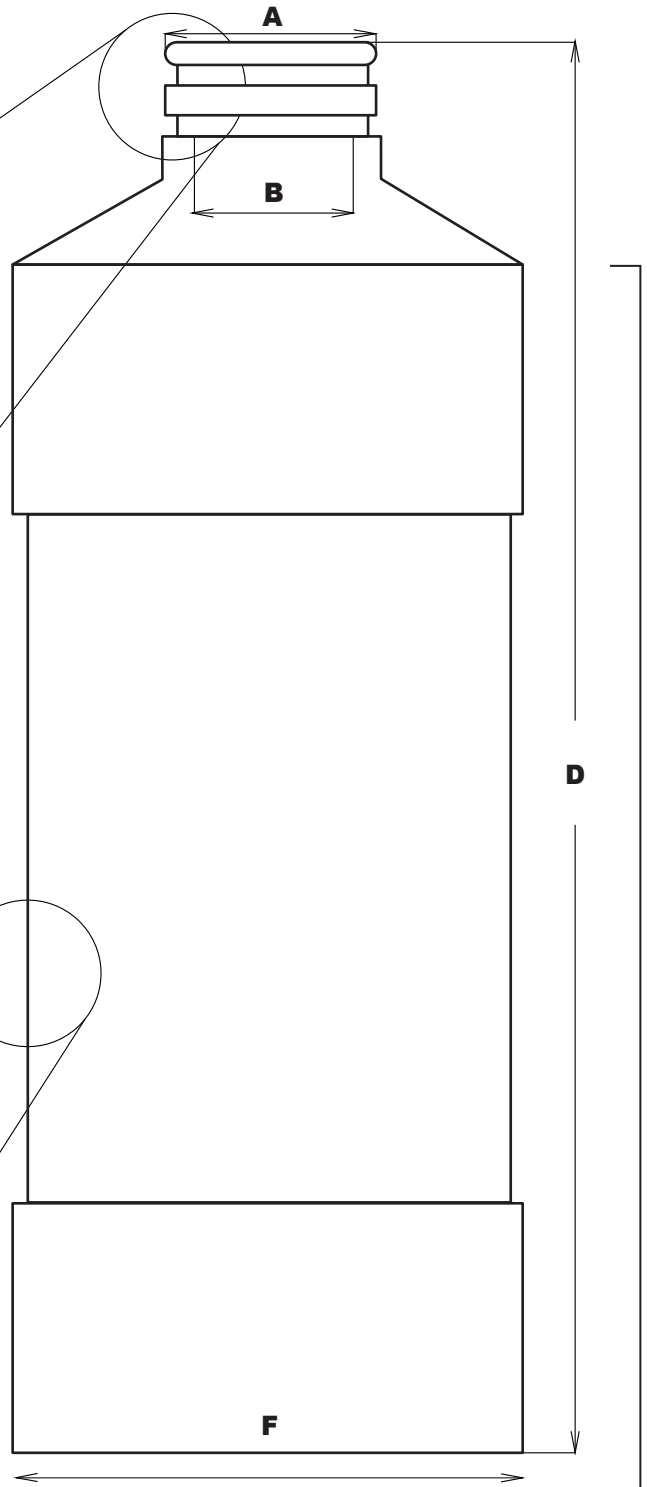
📘 M&M CONSORCIO INDUSTRIAL S.A. DE C.V. 📷 mmconsorcioindustrial

🌐 www.mmconsorcioindustrial.com



M & M CONSORCIO INDUSTRIAL. S.A. DE C.V.

Frasco: INVOLABLE 500 ml. CAP: 28 mm.



A 28.50 +/- 0.20 mm.
(1.120 +/- 0.008 in.)

B 21.00 +/- 0.20 mm.
(0.825 +/- 0.008 in.)

C 12.70 +/- 0.20 mm.
(0.500 +/- 0.008 in.)

D 187.00 +/- 0.20 mm
(7.360 +/- 0.008 in.)

E 0.80 +/- 0.20 mm
(0.032 +/- 0.008 in.)

F 67.80 +/- 0.20 mm
(2.675 +/- 0.008 in.)

OBSERVACIONES: MATERIAL: POLIETILENO DE ALTA DENSIDAD.

COLOR: BLANCO.

TAPA: CAP TO CAP.

**NOTA: MINIMO DE FABRICACIÓN COLOR ESPECIAL 5,000 PZS.
TIEMPO DE ENTREGA SUJETA A PROGRAMACION.**



📍 Vidrio No. 1673, Col. Moderna, Guadalajara, Jal. C.P. 44140 📞 33 2538 5539 / 33 2153 6165

✉ contacto@mmconsorcioindustrial.com / ventasconsorcioindustrial@gmail.com

📘 M&M CONSORCIO INDUSTRIAL S.A. DE C.V. 📷 mmconsorcioindustrial

🌐 www.mmconsorcioindustrial.com